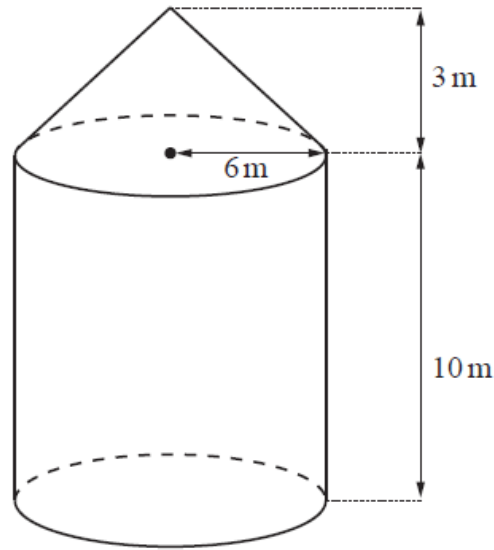




7.5 – Area and volume of compound shapes

Student name: _____ **ANSWERS** Score: _____

1.



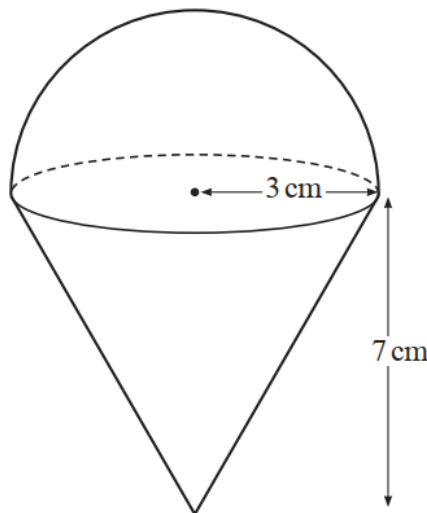
NOT TO SCALE

The diagram shows a shape made from a cylinder and a cone.
 The cylinder and cone have a common radius of 6 m.
 The height of the cylinder is 10 m and the height of the cone is 3 m.

Calculate the total volume of the shape.
 Leave your answer as a multiple of π .

Answer **396 π** m³ [3]

2.



NOT TO SCALE

The diagram shows a hemisphere joined to a cone.
 The hemisphere has a radius of 3 cm.
 The cone has a radius of 3 cm and a height of 7 cm.
 The total volume of the shape is $k\pi$ cm³.

Find the value of k .

$k =$ **39** [3]



